



# Magnum Diagonal Plow

Richwood's Magnum Diagonal Plow is designed for heavy duty applications.

The Magnum Diagonal Plow prevents large volume material spills from damaging your conveyor belt and pulleys by keeping material off of the return belt.

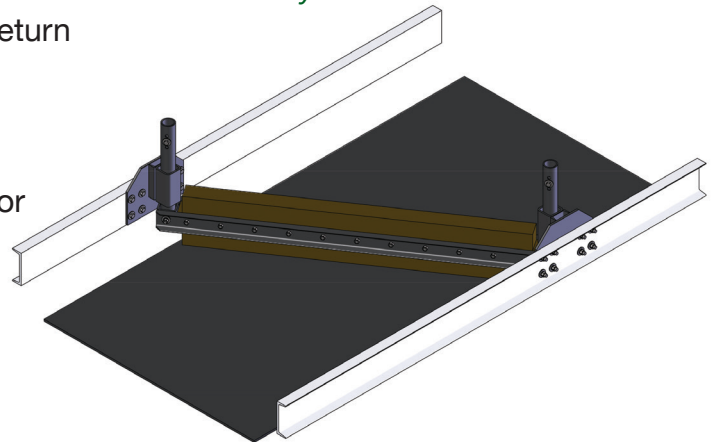
The Diagonal Plow is self-adjusting, so it will remain in constant contact with the inside cover of the return belt.

The universal bolt-on mounting plates make installation easy and will fit any standard conveyor structure.

Need recommendations for your application?  
Call Richwood at 304-525-5436.

Rely on Richwood!

- *Ultra Heavy Duty*
- *4" Thick UHMW Blade*
- *Easy to install*
- *Ideal for high capacity inclined conveyors*



**(800) 237-6951**

f: (304) 525-8018



**richwood.com**

e: [info@richwood.com](mailto:info@richwood.com)