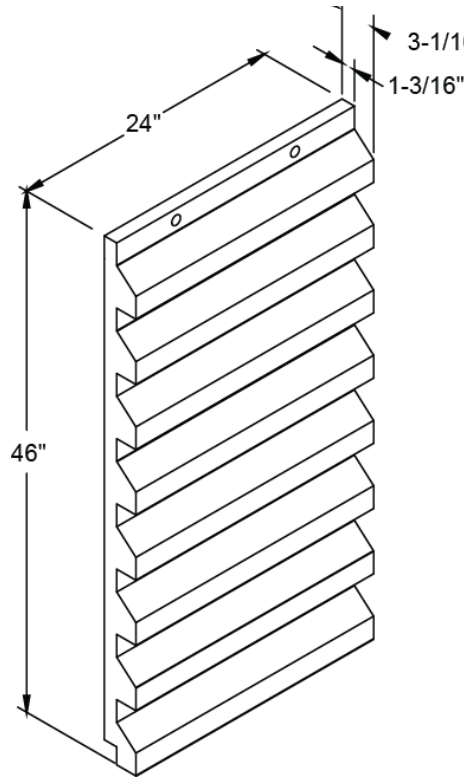


Rock Flex® 2000

Profile Rubber Wear Plate



Wherever durable chute or bin linings are needed, count on Rock Flex® 2000 Profile Rubber Wear Plate. The profile step design presents the optimum angle of impact in vertical applications to achieve long wear life and effectively dissipate impact shock loads without damaging the body of the Wear Plate.

Rock Flex® 2000 is a premium blended rubber designed to have excellent wear properties. It has no equal in terms of rubber quality.

When you choose R2000, you can be assured of optimum wear life, tensile strength and tear

resistance. Richwood's R2000 compounds have been proven to last 50% to 150% longer than other rubber lining materials.

Depend on the strength of Rock Flex® 2000 for long lasting rubber linings.

Rock Flex® 2000 Profile Rubber Wear Plates are 24" wide and 46" long with saw tooth profile design.

For all of your wear lining needs, Rely on Richwood!

(800) 237-6951

f: (304) 525-8018



richwood.com

e: info@richwood.com